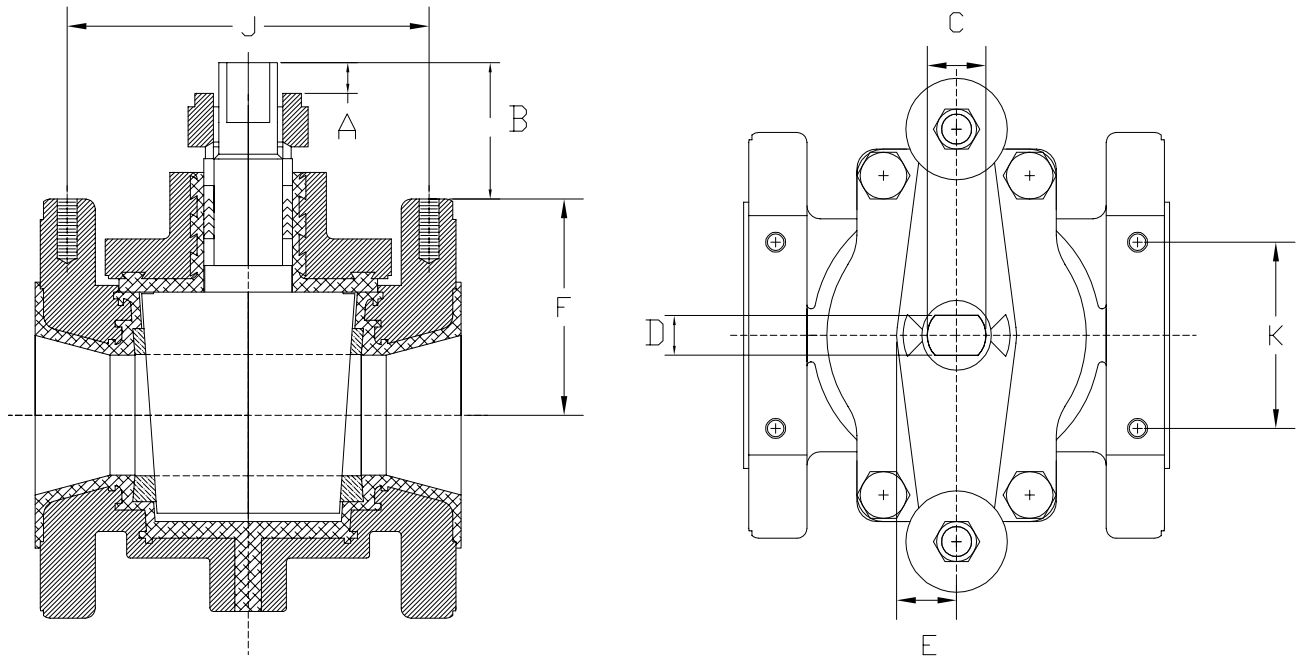


MODEL 790EB-150 PLUG VALVE ACTUATOR MOUNTING DIMENSIONS



NOTE: A & B will vary due to plug seating depth and during the valve's lifecycle may change up to 0.375"

VALVE SIZE	A	B	C	D	E	F	J	K	HOLE DIA.	THREAD	THREAD DEPTH
1	1 1/16	2 7/16	3/4	1/2	3/4	2 7/16	4.20	1.75	5/16	18UNC	3/4
1.5	5/8	2 7/16	3/4	1/2	1	2 13/16	5.63	1.75	5/16	18UNC	3/4
2	5/8	2 3/16	3/4	1/2	15/16	3 5/16	6.00	2.25	5/16	18UNC	3/4
3	11/16	2 1/2	1 1/16	3/4	1 5/16	4 1/16	6.80	3.50	3/8	16UNC	1
4	15/16	2 1/8	1 1/16	3/4	1 1/4	5	7.75	4.00	1/2	13UNC	1 1/8
6	1 3/4	3 1/2	1 11/16	1 1/4	1 1/2	6 11/16	9.20	4.00	1/2	13UNC	1 1/8
8	2 5/8	6 3/4	2	1 15/32	1 15/16	7	9.97	7.00	1/2	13UNC	1 1/8
TOL:	±1/4	±1/4	±1/64	±1/64	±1/64	±1/64	±1/64	±1/64			

No.	Revision	Description	Date	Chk'd
13		Reverted J 9.4 back to 9.2	7/31/24	HM.
12		Corrected J 9.2 to 9.4, K 7 to 4 for 6"	5/1/24	HM.
11		UPDATED A,B,E for 8", A,B Tolerances & note	10-10-23	HM.
10		CHANGED THREAD DEPTHS 1 - 3 INCH VALVES.	7-13-23	HM.
9		CHANGED 4"-DIM.-K-TO 7" AND ADDED * NOTE.	4-26-13	B.K.
8		CHANGED 4"-DIM.-B-TO 2 1/8"	2-19-13	B.K.
7		ADDED 8" DIMENSIONS AND DELETED 8" BY 6" DIM.	11-20-12	B.K.
6		DELETED 8" - FULL SIZE (FS) DIMENSIONS	8-19-08	B.K.
5		ADDED 8" - FULL SIZE (FS) DIMENSIONS TO CHART	2-14-08	B.K.
4		CHANGED 1.5" SIZE DIM.-2 5/16" TO 2 7/16"	7-13-04	B.K.
3		CHANGED "A" DIM. FROM 1 5/8" TO 1 3/4" AND CHANGED TOLERANCE TO ±1/8".	9 -27-01	B.K.
2		CHANGED "B" DIM. FROM 2 11/16" TO 1 11/16"	6 -8-01	B.K.
1		CHANGED "A" DIM. FROM 3/4 TO 1 1/16 AND CHANGED THE EXTENSION LINES.	12 -21-00	B.K.

This drawing shall not be reproduced, copied, lent, disclosed, published, or disposed of, directly or indirectly, nor used for any purpose other than that for which it was specifically furnished

ChemValve, Inc.
Tomball, Texas

Model Number 790EB-150-ACT. MTG. DIM.	
Drawn: B.K.	Part Name
Checked:	MODEL 790EB-150
Approved: B.K.	Drawing Number
Date: 3-7-00	79EB15ACTDI2
	Rev. 13