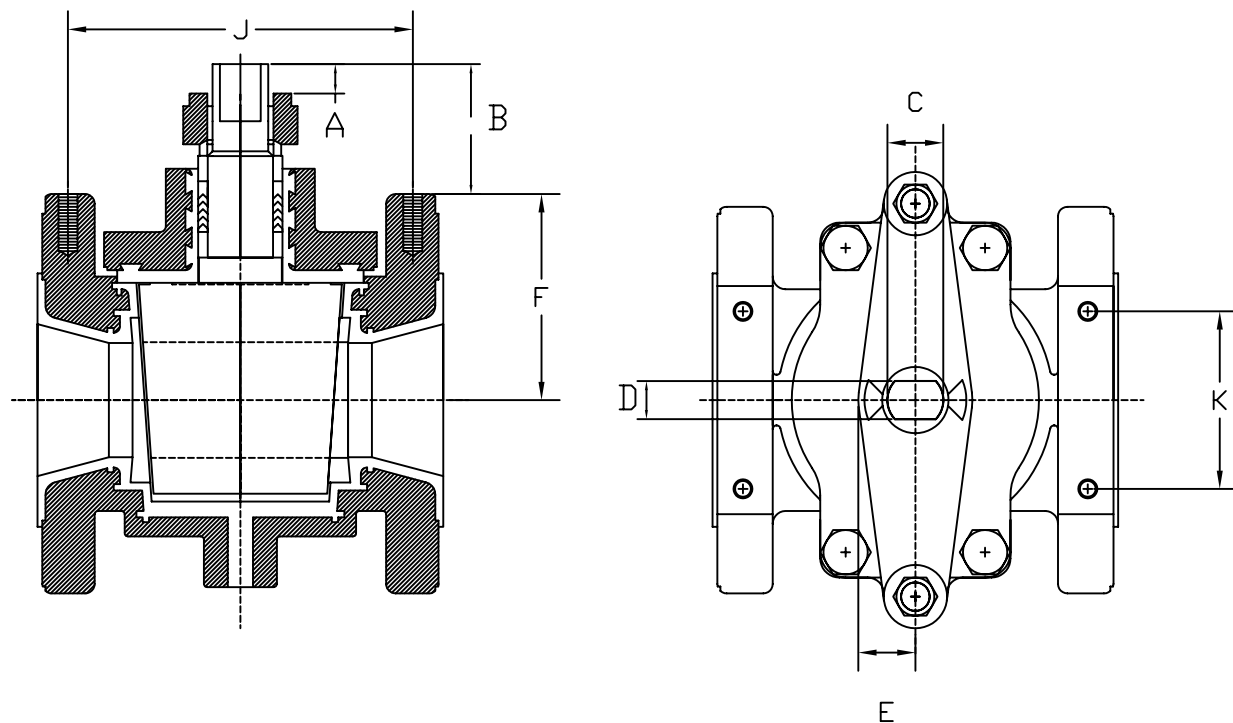


MODEL 790EB-300 PLUG VALVE ACTUATOR MOUNTING DIMENSIONS



VALVE SIZE	A	B	C	D	E	F	J	K	HOLE DIA.	THREAD	THREAD DEPTH
1	0.75"	2.19"	0.75"	0.50"	0.75"	2.44"	5.55"	1.75"	5/16"	18UNC	0.88"
1.5	0.63"	2.31"	0.75"	0.50"	1.00"	2.81"	6.20"	1.75"	5/16"	18UNC	1.00"
2	0.63"	2.18"	0.75"	0.50"	0.94"	3.31"	7.30"	2.25"	5/16"	18UNC	1.00"
3	0.69"	1.45"	1.06"	0.75"	1.31"	5.19"	9.84"	3.5"	3/8"	16UNC	1.13"
4	1.15"	2.16"	1.69"	0.75"	1.31"	5.00"	10.35"	4.00"	3/8"	16UNC	1.13"
6	1.69"	3.01"	1.69"	1.25"	1.50"	6.34"	14.00"	4.00"	1/2"	13UNC	1.13"
TOL:	±1/16	±1/16	±1/64	±1/64	±1/64	±1/64	±1/64	±1/64			

3	ADDED 4' DIMENSIONS	10-1-01	B.K.	This drawing shall not be reproduced, copied, lent, disclosed, published, or disposed of, directly or indirectly, nor used for any purpose other than that for which it was specifically furnished	ChemValve, Inc.	
					Tomball, Texas	
2	ADDED 6' DIMENSIONS	7-7-00	B.K.		Model Number	
					790EB-300-ACT. MTG. DIM.	
1	ADDED 3' DIMENSIONS	3-6-00	B.K.		Drawn: B.K.	Part Name
					Checked:	MODEL 790EB-300
No.	Revision	Description	Date	Chk'd	Approved: B.K.	Drawing Number
					Date: 11-1-02	79EB30ACTDI2
						Rev. 3